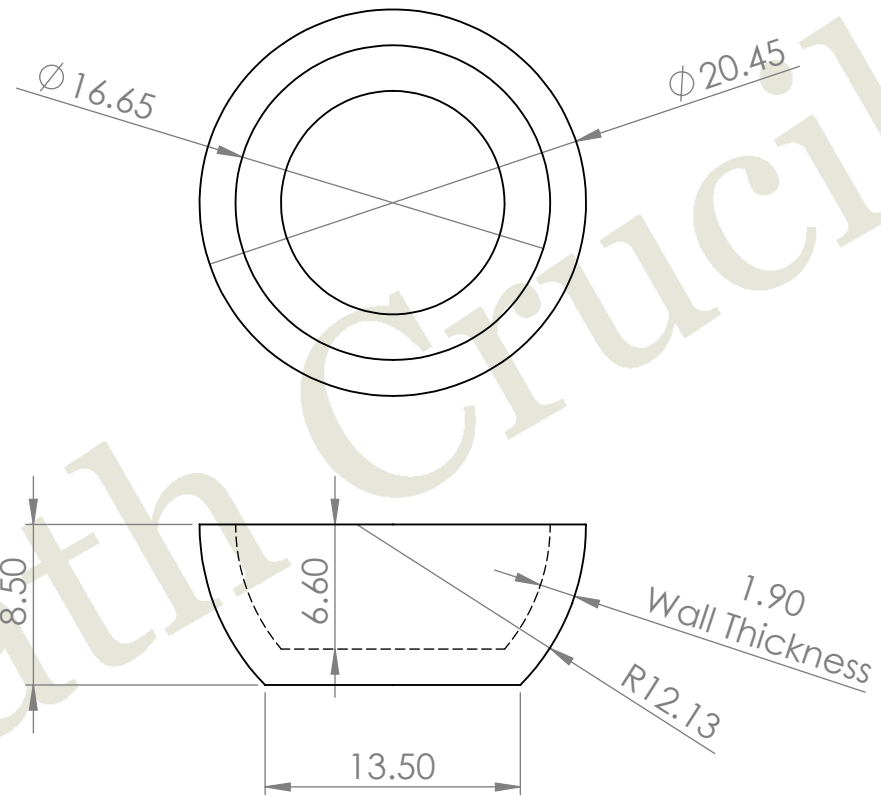


2

1

B

B



A

A

| | | | | | | | |
|---------------------------------------|--|---|--|---------------|--------------------|----------------------|---------------|
| TOLERANCE GUIDE. DIN 40 680 MEDIUM | | UNLESS OTHERWISE SPECIFIED: DIMENSIONS ARE IN MM | | NAME DANNY | DATE 16/08/2018 | Almath Crucibles | |
| | | | | DRAWN | | ALMATH PRODUCT CODE: | |
| | | | | CHECKED | | LR19 | |
| | | | | ENG APPR. | | | |
| | | | | MFG APPR. | | | |
| | | | | Q.A. | | | |
| | | | | COMMENTS: | | | |
| | | INTERPRET GEOMETRIC TOLERANCING PER: | | | | SIZE A | DWG. STOCK |
| NEXT ASSY | | USED ON | | | | REV | |
| APPLICATION | | DO NOT SCALE DRAWING | | | | SCALE:2.5:1 | |
| | | | | | | SHEET 1 OF 1 | |

PROPRIETARY AND CONFIDENTIAL
THE INFORMATION CONTAINED IN THIS
DRAWING IS THE SOLE PROPERTY OF
ALMATH CRUCIBLES. ANY
REPRODUCTION IN PART OR AS A WHOLE
WITHOUT THE WRITTEN PERMISSION OF
ALMATH CRUCIBLES IS
PROHIBITED.

2

1