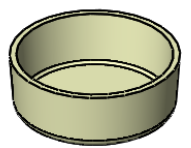
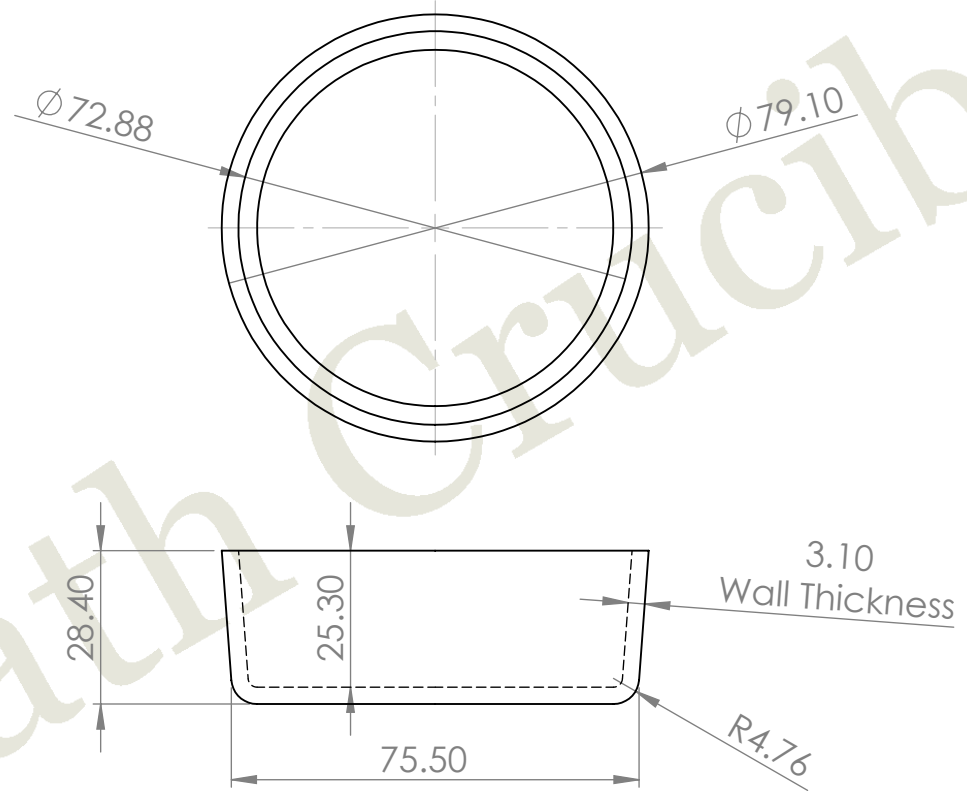


2

1

B

B



A

A

PROPRIETARY AND CONFIDENTIAL
 THE INFORMATION CONTAINED IN THIS
 DRAWING IS THE SOLE PROPERTY OF
 ALMATH CRUCIBLES. ANY
 REPRODUCTION IN PART OR AS A WHOLE
 WITHOUT THE WRITTEN PERMISSION OF
 ALMATH CRUCIBLES IS
 PROHIBITED.

| | | | | | | |
|---------------------------------------|---------|---|--|-----------|-------|------------|
| TOLERANCE GUIDE. DIN 40 680 MEDIUM | | UNLESS OTHERWISE SPECIFIED: DIMENSIONS ARE IN MM | | DRAWN | NAME | DATE |
| | | | | CHECKED | DANNY | 16/08/2018 |
| | | | | ENG APPR. | | |
| | | | | MFG APPR. | | |
| | | | | Q.A. | | |
| | | | | COMMENTS: | | |
| | | INTERPRET GEOMETRIC TOLERANCING PER: | | | | |
| | | MATERIAL | | | | |
| | | FINISH | | | | |
| NEXT ASSY | USED ON | | | | | |
| APPLICATION | | DO NOT SCALE DRAWING | | | | |

| | | |
|----------------------|--------------|--------------|
| Almath Crucibles | | |
| ALMATH PRODUCT CODE: | | |
| LR81 | | |
| SIZE | DWG. | REV |
| A | STOCK | |
| SCALE:1:1.4 | | SHEET 1 OF 1 |

2

1