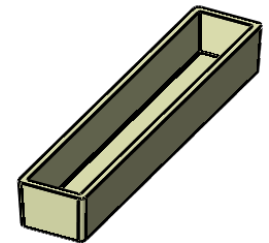
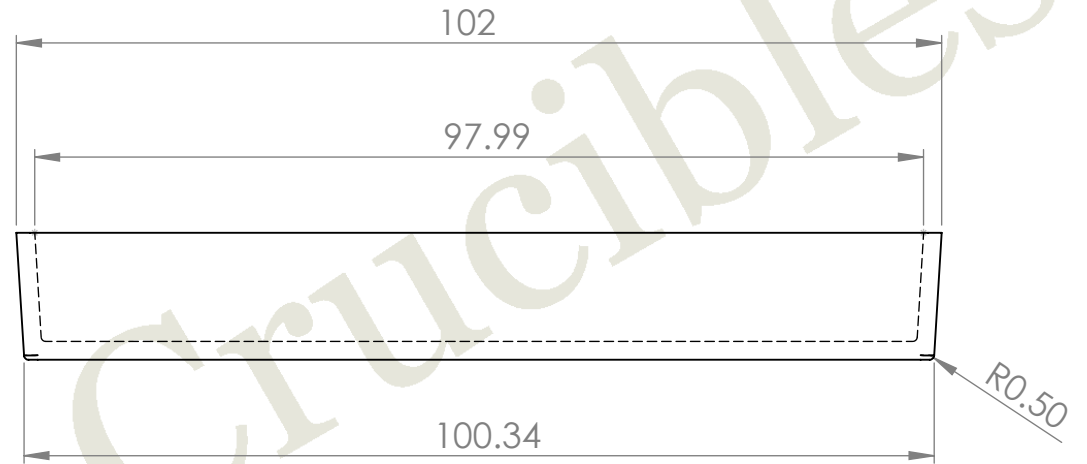
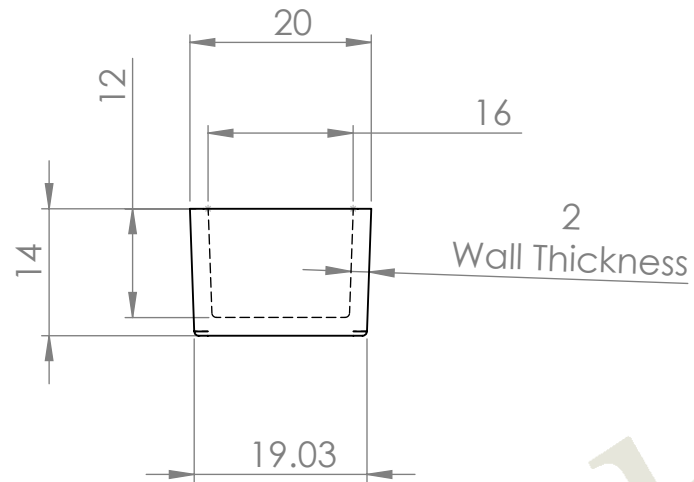


B



B

A

A

TOLERANCE GUIDE. DIN 40 680 MEDIUM		UNLESS OTHERWISE SPECIFIED: DIMENSIONS ARE IN MM		DRAWN	NAME	DATE	Almath Crucibles	
				CHECKED	DANNY	09/08/2018	ALMATH PRODUCT CODE:	
				ENG APPR.			BS100	
				MFG APPR.			SIZE DWG. REV	
		INTERPRET GEOMETRIC TOLERANCING PER:		Q.A.			A STOCK	
		MATERIAL		COMMENTS:			SCALE:1.2:1 SHEET 1 OF 1	
NEXT ASSY		USED ON						
APPLICATION		DO NOT SCALE DRAWING						

PROPRIETARY AND CONFIDENTIAL  
THE INFORMATION CONTAINED IN THIS  
DRAWING IS THE SOLE PROPERTY OF  
ALMATH CRUCIBLES. ANY  
REPRODUCTION IN PART OR AS A WHOLE  
WITHOUT THE WRITTEN PERMISSION OF  
ALMATH CRUCIBLES IS  
PROHIBITED.

2

1