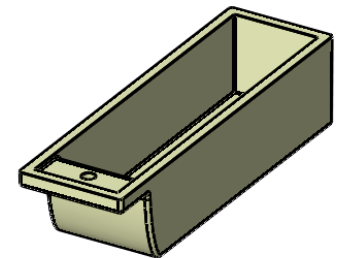
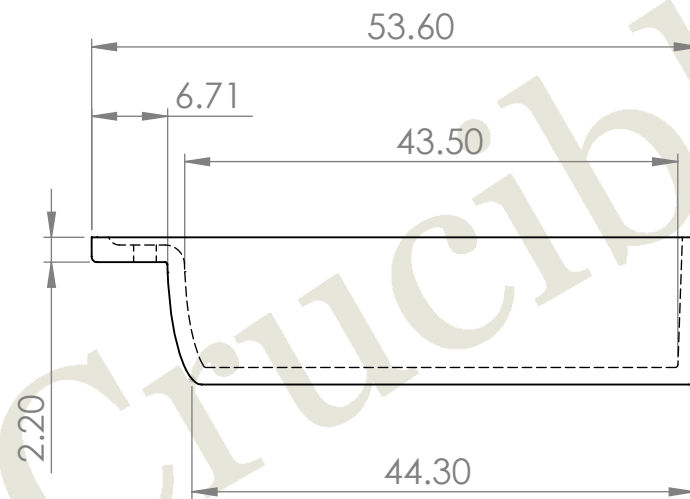
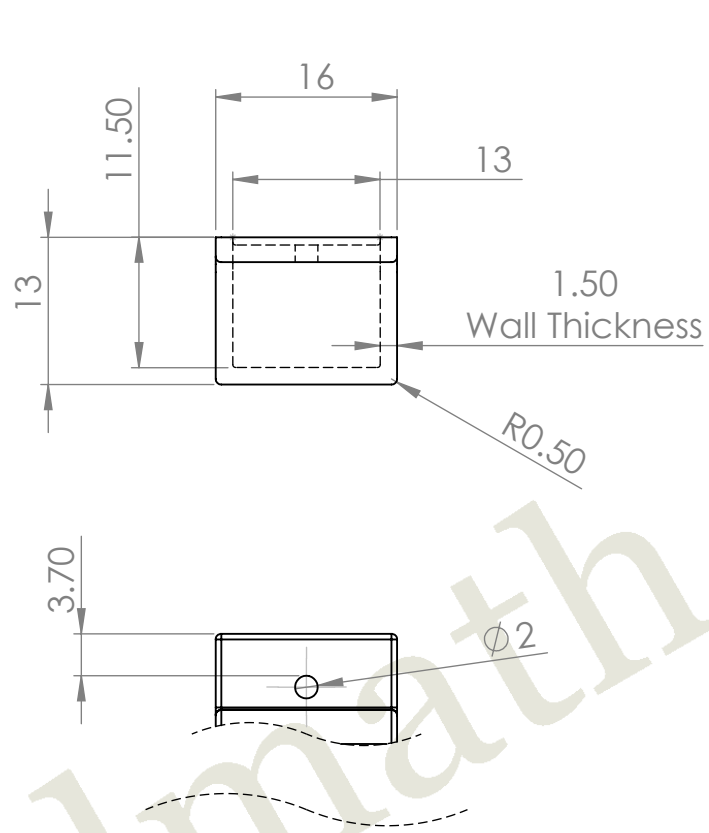


B



B

A

PROPRIETARY AND CONFIDENTIAL
THE INFORMATION CONTAINED IN THIS
DRAWING IS THE SOLE PROPERTY OF
ALMATH CRUCIBLES. ANY
REPRODUCTION IN PART OR AS A WHOLE
WITHOUT THE WRITTEN PERMISSION OF
ALMATH CRUCIBLES IS
PROHIBITED.

TOLERANCE GUIDE. DIN 40 680 MEDIUM		UNLESS OTHERWISE SPECIFIED: DIMENSIONS ARE IN MM		DRAWN	NAME	DATE	Almath Crucibles	
				CHECKED	DANNY	09/08/2018	ALMATH PRODUCT CODE:	
				ENG APPR.			BS52	
				MFG APPR.			SIZE DWG. REV	
				Q.A.			A STOCK	
				COMMENTS:			SCALE:1.5:1 SHEET 1 OF 1	
NEXT ASSY	USED ON	INTERPRET GEOMETRIC TOLERANCING PER:	MATERIAL					
APPLICATION		FINISH						
		DO NOT SCALE DRAWING						

2

1