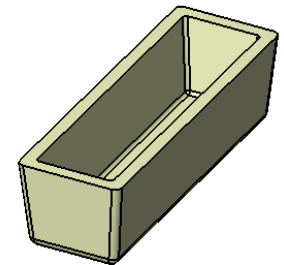
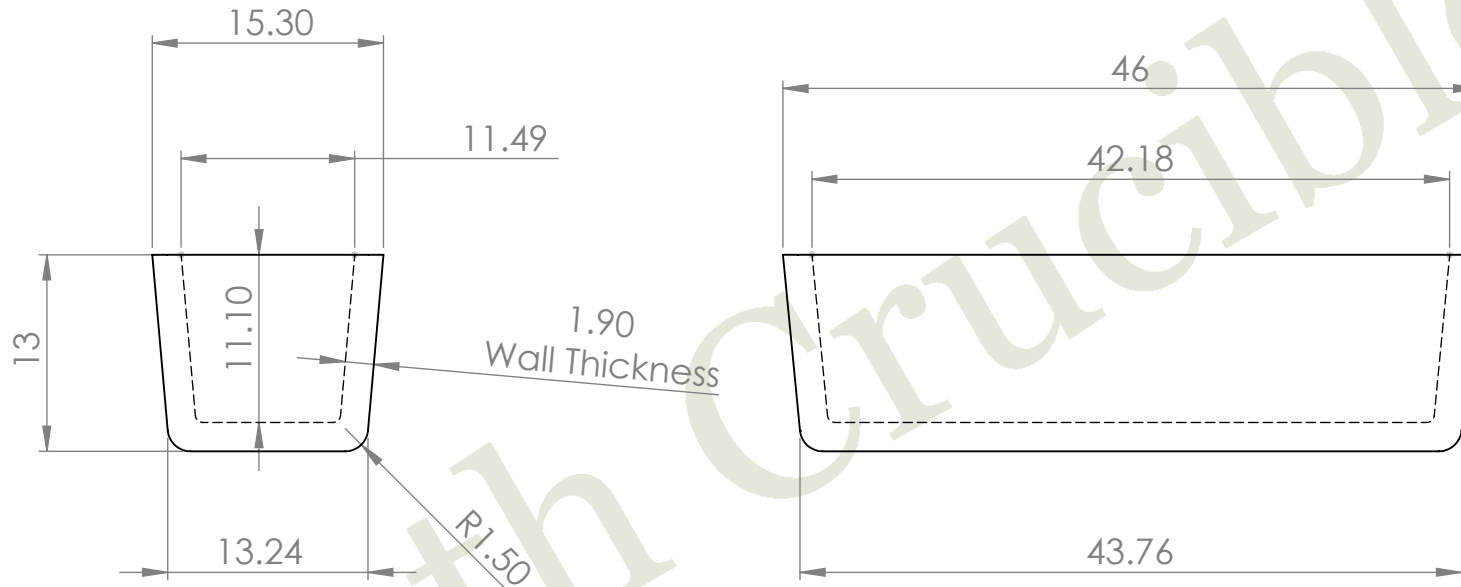


2

1

B

B



A

A

PROPRIETARY AND CONFIDENTIAL  
 THE INFORMATION CONTAINED IN THIS  
 DRAWING IS THE SOLE PROPERTY OF  
 ALMATH CRUCIBLES. ANY  
 REPRODUCTION IN PART OR AS A WHOLE  
 WITHOUT THE WRITTEN PERMISSION OF  
 ALMATH CRUCIBLES IS  
 PROHIBITED.

TOLERANCE GUIDE.  
 DIN 40 680 MEDIUM

UNLESS OTHERWISE SPECIFIED:  
 DIMENSIONS ARE IN MM

DRAWN	NAME	DATE
CHECKED	DANNY	08/08/2018
ENG APPR.		
MFG APPR.		
Q.A.		
COMMENTS:		

Almath Crucibles

ALMATH PRODUCT CODE:

**BS46**

		INTERPRET GEOMETRIC TOLERANCING PER:
		MATERIAL
NEXT ASSY	USED ON	FINISH
APPLICATION		DO NOT SCALE DRAWING

SIZE	DWG.	REV
<b>A</b>	<b>STOCK</b>	
SCALE:2:1		SHEET 1 OF 1

2

1