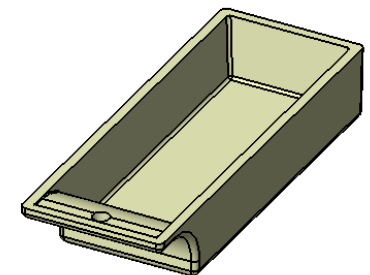
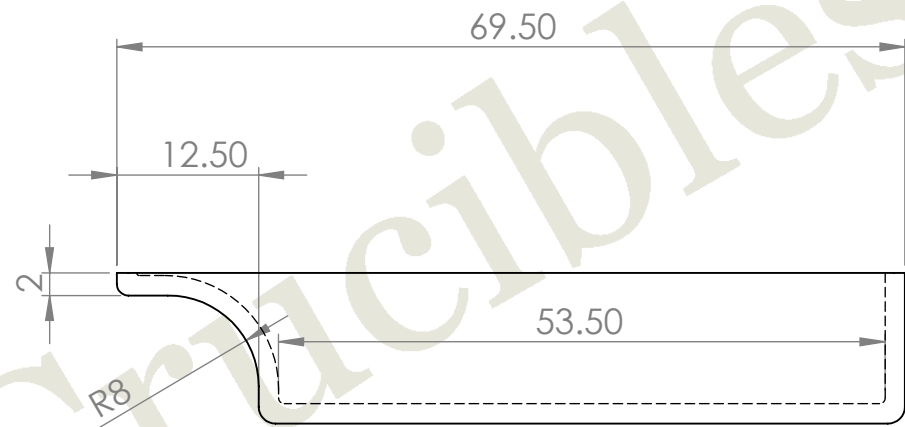
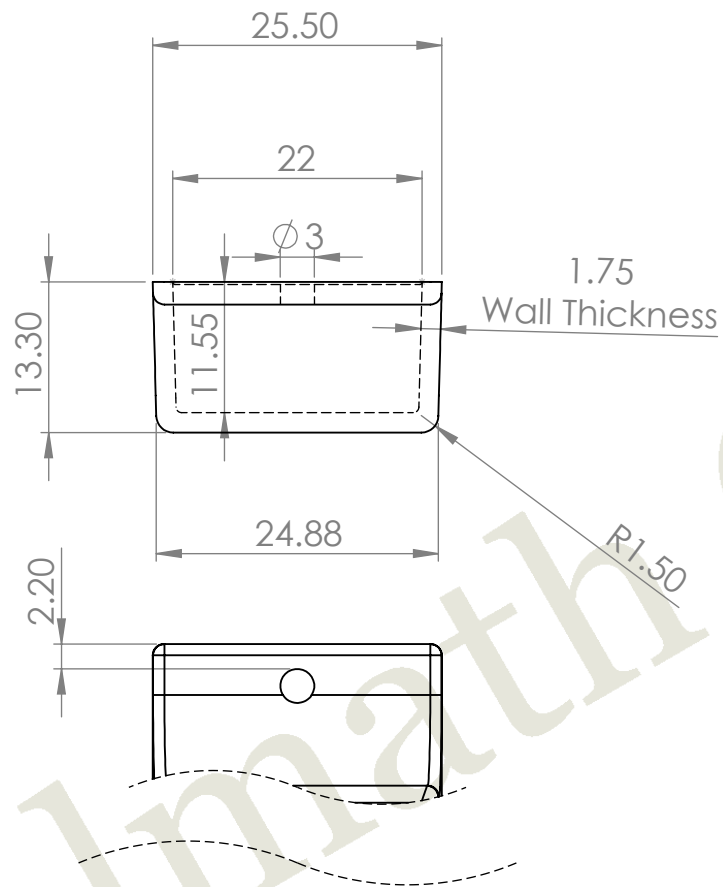


B



B

A

TOLERANCE GUIDE. DIN 40 680 MEDIUM	UNLESS OTHERWISE SPECIFIED: DIMENSIONS ARE IN MM	DRAWN	NAME	DATE	Almath Crucibles
		CHECKED	DANNY	08/08/2018	
		ENG APPR.			ALMATH PRODUCT CODE: BS59
		MFG APPR.			
		Q.A.			SIZE DWG. REV A STOCK
		COMMENTS:			
PROPRIETARY AND CONFIDENTIAL THE INFORMATION CONTAINED IN THIS DRAWING IS THE SOLE PROPERTY OF ALMATH CRUCIBLES. ANY REPRODUCTION IN PART OR AS A WHOLE WITHOUT THE WRITTEN PERMISSION OF ALMATH CRUCIBLES IS PROHIBITED.	INTERPRET GEOMETRIC TOLERANCING PER:				SCALE: 1.5:1
NEXT ASSY	MATERIAL				SHEET 1 OF 1
USED ON	FINISH				
APPLICATION	DO NOT SCALE DRAWING				

2

1