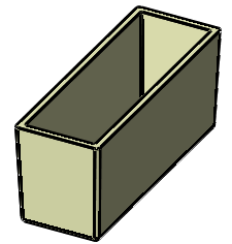
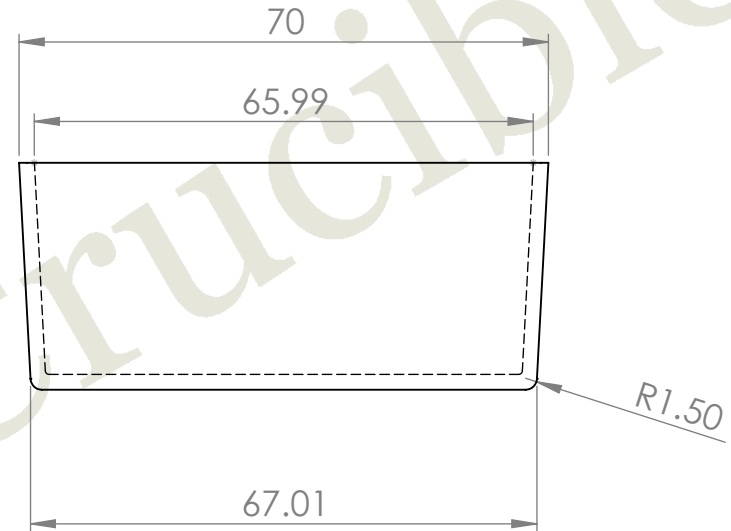
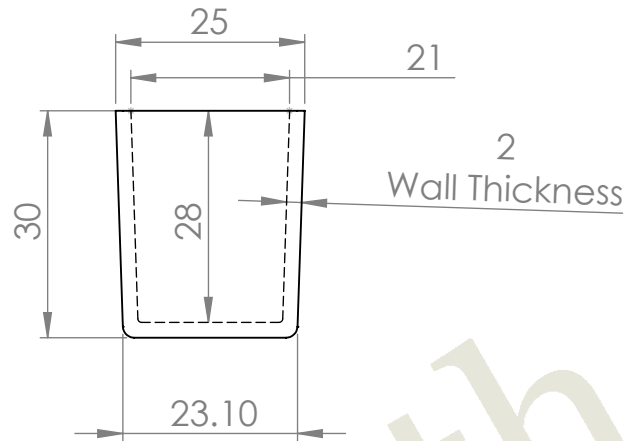


B



B

A

PROPRIETARY AND CONFIDENTIAL  
THE INFORMATION CONTAINED IN THIS  
DRAWING IS THE SOLE PROPERTY OF  
ALMATH CRUCIBLES. ANY  
REPRODUCTION IN PART OR AS A WHOLE  
WITHOUT THE WRITTEN PERMISSION OF  
ALMATH CRUCIBLES IS  
PROHIBITED.

TOLERANCE GUIDE. DIN 40 680 MEDIUM		UNLESS OTHERWISE SPECIFIED: DIMENSIONS ARE IN MM		DRAWN	NAME DANNY	DATE 08/08/2018	Almath Crucibles	
				CHECKED			ALMATH PRODUCT CODE: <b>BS72</b>	
				ENG APPR.				
				MFG APPR.				
				Q.A.				
				COMMENTS:				
		INTERPRET GEOMETRIC TOLERANCING PER:						
		MATERIAL						SIZE <b>A</b>
		FINISH						DWG. <b>STOCK</b>
NEXT ASSY		USED ON						REV
APPLICATION		DO NOT SCALE DRAWING				SCALE:1:1		SHEET 1 OF 1

2

1