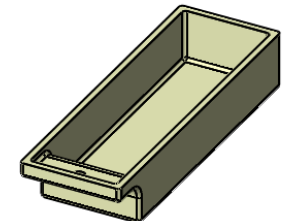
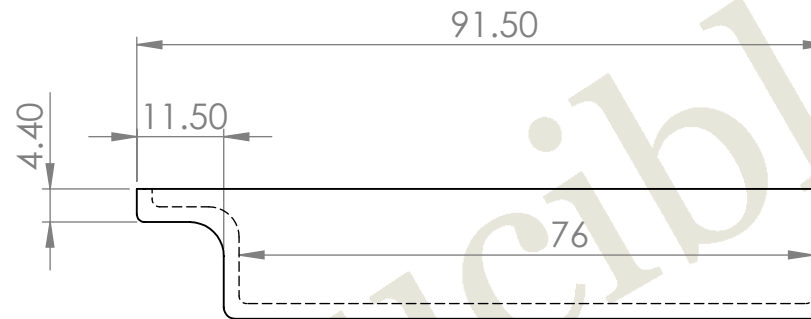
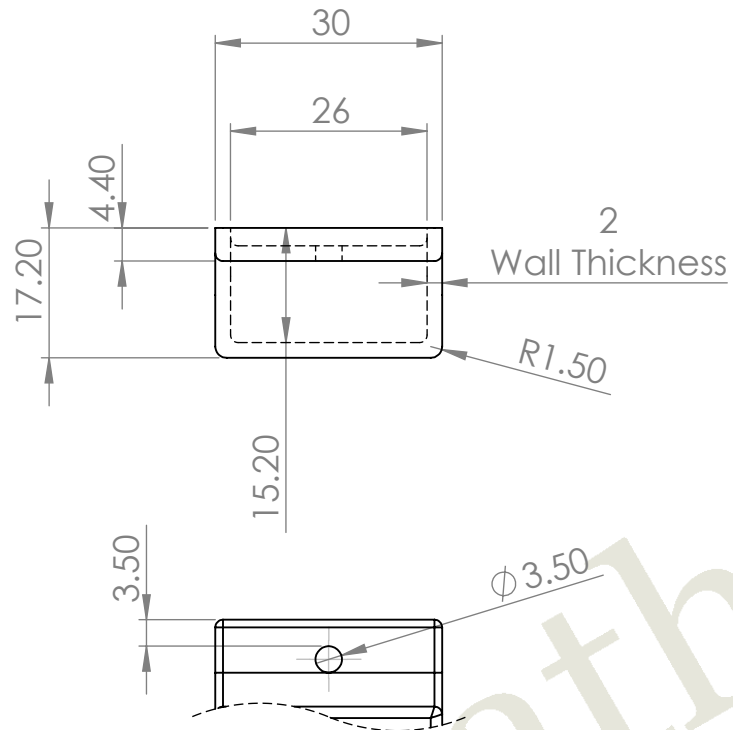


B



B

A

TOLERANCE GUIDE.
DIN 40 680 MEDIUM

UNLESS OTHERWISE SPECIFIED:
DIMENSIONS ARE IN MM

	NAME	DATE
DRAWN	DANNY	08/08/2018
CHECKED		
ENG APPR.		
MFG APPR.		
Q.A.		
COMMENTS:		

Almath Crucibles

ALMATH PRODUCT CODE:

BS80

PROPRIETARY AND CONFIDENTIAL
THE INFORMATION CONTAINED IN THIS
DRAWING IS THE SOLE PROPERTY OF
ALMATH CRUCIBLES. ANY
REPRODUCTION IN PART OR AS A WHOLE
WITHOUT THE WRITTEN PERMISSION OF
ALMATH CRUCIBLES IS
PROHIBITED.

NEXT ASSY

USED ON

INTERPRET GEOMETRIC
TOLERANCING PER:

MATERIAL

FINISH

APPLICATION

DO NOT SCALE DRAWING

SIZE	DWG.	REV
A	STOCK	
SCALE:1:1	SHEET 1 OF 1	

2

1