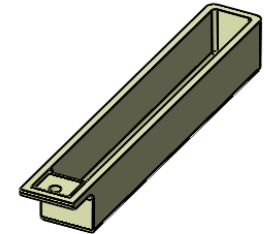
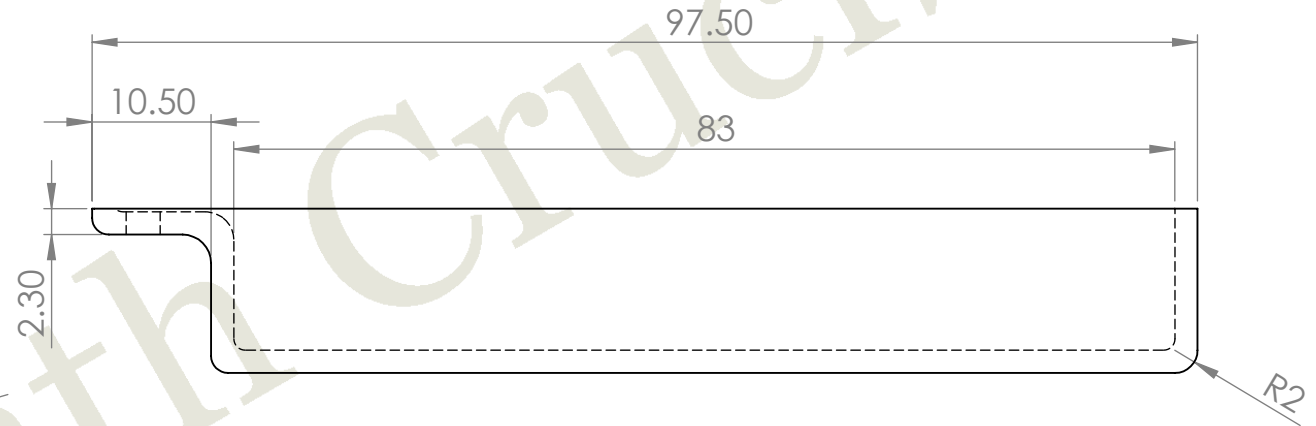
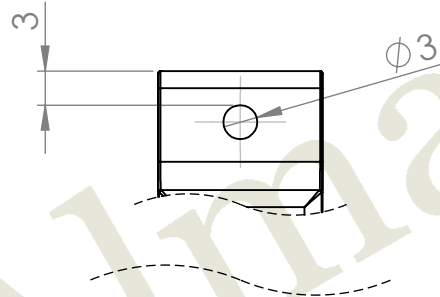
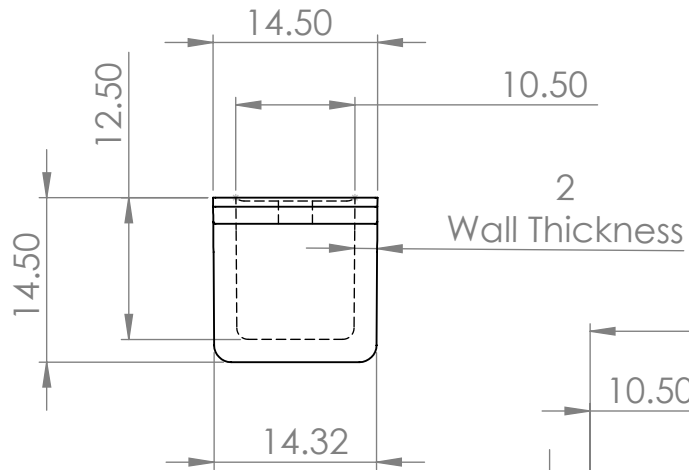


B



B

A

TOLERANCE GUIDE. DIN 40 680 MEDIUM		UNLESS OTHERWISE SPECIFIED: DIMENSIONS ARE IN MM		DRAWN	NAME DANNY	DATE 09/08/2018	Almath Crucibles		
				CHECKED			ALMATH PRODUCT CODE: <b>BS96</b>		
				ENG APPR.					
				MFG APPR.					
				Q.A.					
				COMMENTS:					
PROPRIETARY AND CONFIDENTIAL THE INFORMATION CONTAINED IN THIS DRAWING IS THE SOLE PROPERTY OF ALMATH CRUCIBLES. ANY REPRODUCTION IN PART OR AS A WHOLE WITHOUT THE WRITTEN PERMISSION OF ALMATH CRUCIBLES IS PROHIBITED.		INTERPRET GEOMETRIC TOLERANCING PER:					SIZE <b>A</b>	DWG. <b>STOCK</b>	REV
NEXT ASSY		USED ON					SCALE:1.5:1		
APPLICATION		DO NOT SCALE DRAWING					SHEET 1 OF 1		

2

1