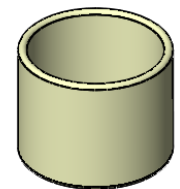
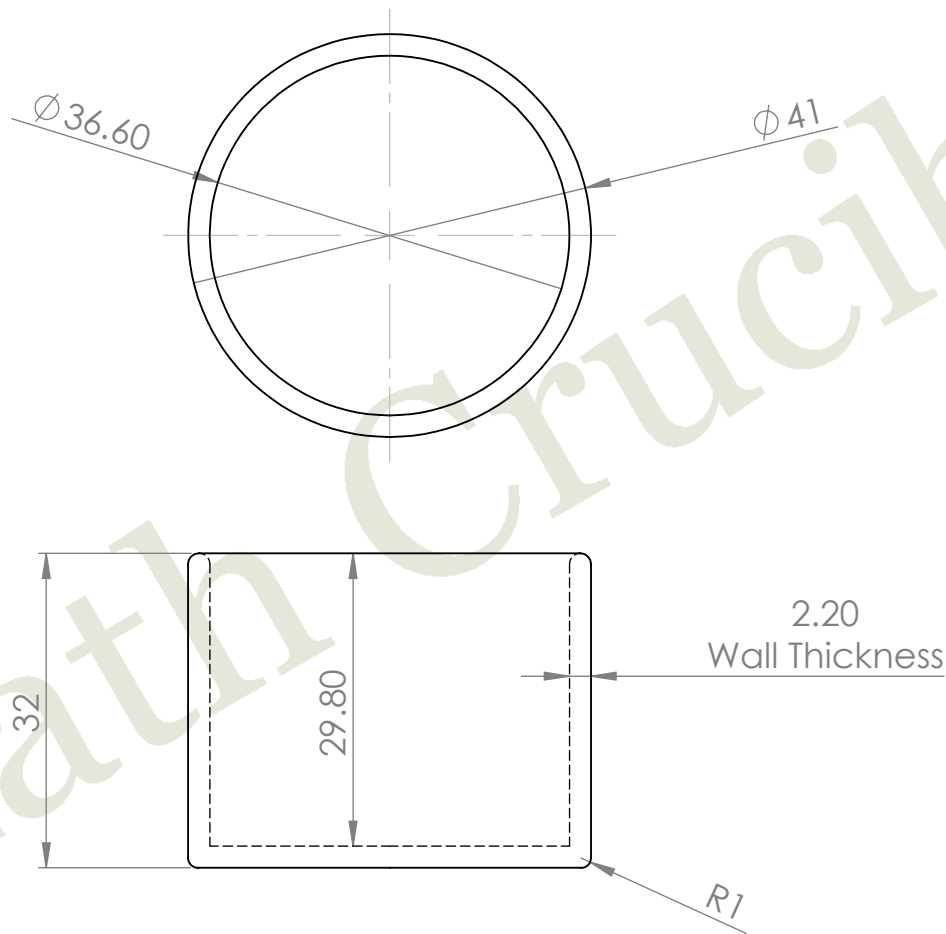


2

1

B

B



A

A

PROPRIETARY AND CONFIDENTIAL
 THE INFORMATION CONTAINED IN THIS
 DRAWING IS THE SOLE PROPERTY OF
 ALMATH CRUCIBLES. ANY
 REPRODUCTION IN PART OR AS A WHOLE
 WITHOUT THE WRITTEN PERMISSION OF
 ALMATH CRUCIBLES IS
 PROHIBITED.

TOLERANCE GUIDE. DIN 40 680 MEDIUM		UNLESS OTHERWISE SPECIFIED: DIMENSIONS ARE IN MM		DRAWN	NAME	DATE	Almath Crucibles	
				CHECKED	DANNY	13/08/2018	ALMATH PRODUCT CODE:	
				ENG APPR.			CC35	
				MFG APPR.			SIZE DWG. REV	
				Q.A.			A STOCK	
				COMMENTS:			SCALE:1.3:1 SHEET 1 OF 1	
NEXT ASSY	USED ON	INTERPRET GEOMETRIC TOLERANCING PER:	MATERIAL					
		FINISH						
APPLICATION		DO NOT SCALE DRAWING						

2

1