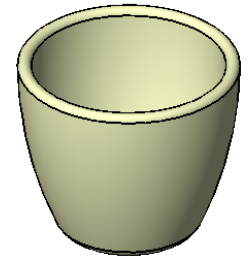
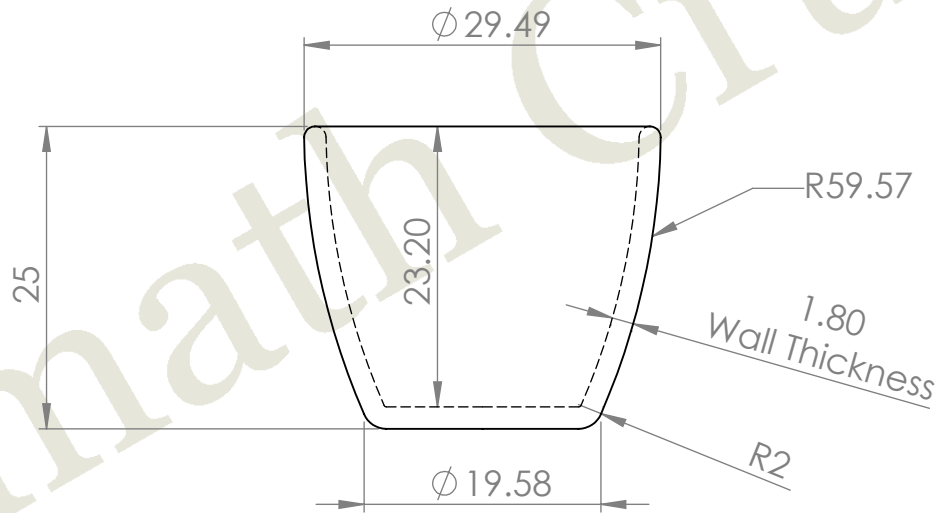
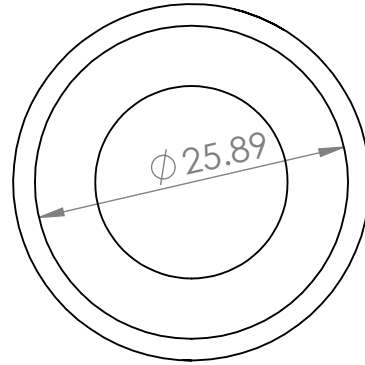


2

1

B

B



A

A

TOLERANCE GUIDE. DIN 40 680 MEDIUM		UNLESS OTHERWISE SPECIFIED: DIMENSIONS ARE IN MM		DRAWN	NAME DANNY	DATE 13/08/2018	Almath Crucibles	
				CHECKED			ALMATH PRODUCT CODE: CL5	
				ENG APPR.				
				MFG APPR.				
				Q.A.				
				COMMENTS:				
		INTERPRET GEOMETRIC TOLERANCING PER:						
		MATERIAL						SIZE A
		FINISH						DWG. STOCK
NEXT ASSY		USED ON						REV
APPLICATION		DO NOT SCALE DRAWING						SCALE:1.6:1
								SHEET 1 OF 1

PROPRIETARY AND CONFIDENTIAL
THE INFORMATION CONTAINED IN THIS
DRAWING IS THE SOLE PROPERTY OF
ALMATH CRUCIBLES. ANY
REPRODUCTION IN PART OR AS A WHOLE
WITHOUT THE WRITTEN PERMISSION OF
ALMATH CRUCIBLES IS
PROHIBITED.

2

1