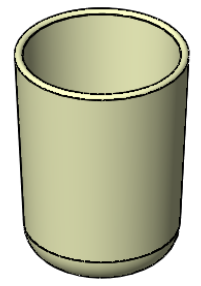
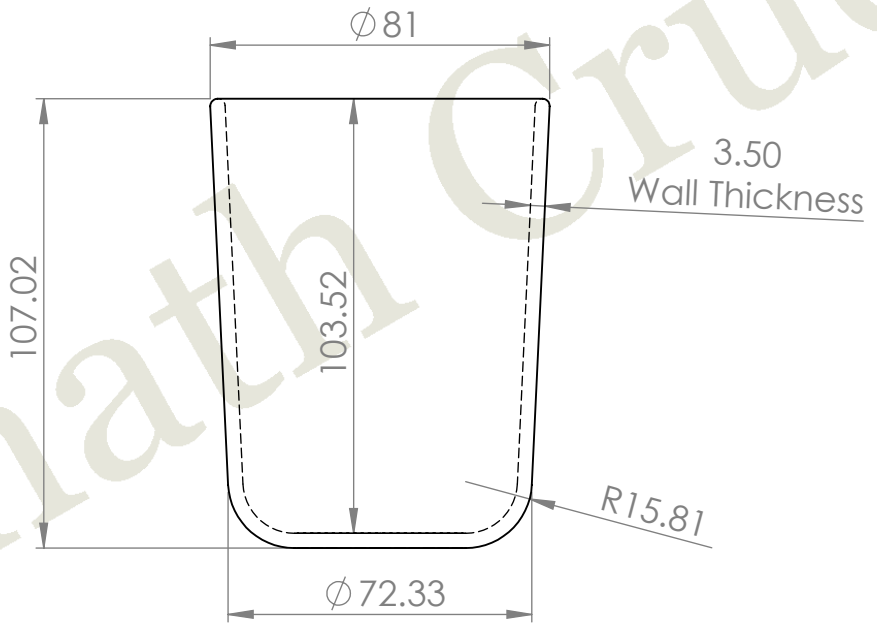
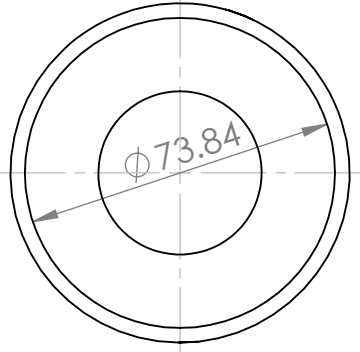


2

1

B

B



A

A

PROPRIETARY AND CONFIDENTIAL  
 THE INFORMATION CONTAINED IN THIS  
 DRAWING IS THE SOLE PROPERTY OF  
 ALMATH CRUCIBLES. ANY  
 REPRODUCTION IN PART OR AS A WHOLE  
 WITHOUT THE WRITTEN PERMISSION OF  
 ALMATH CRUCIBLES IS  
 PROHIBITED.

TOLERANCE GUIDE. DIN 40 680 MEDIUM		UNLESS OTHERWISE SPECIFIED: DIMENSIONS ARE IN MM		DRAWN	NAME	DATE
				CHECKED	DANNY	13/08/2018
				ENG APPR.		
				MFG APPR.		
		INTERPRET GEOMETRIC TOLERANCING PER:		Q.A.		
		MATERIAL		COMMENTS:		
		FINISH				
NEXT ASSY	USED ON					
APPLICATION		DO NOT SCALE DRAWING				

Almath Crucibles		
ALMATH PRODUCT CODE:		
<b>CL80</b>		
SIZE	DWG.	REV
<b>A</b>	<b>STOCK</b>	
SCALE:1:1.8		SHEET 1 OF 1

2

1