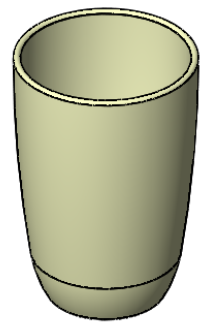
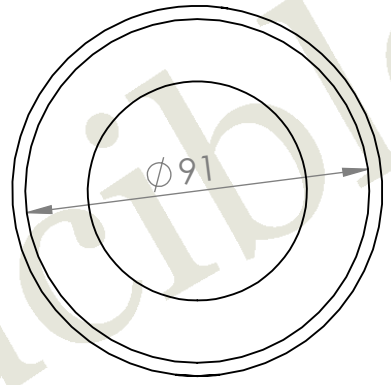
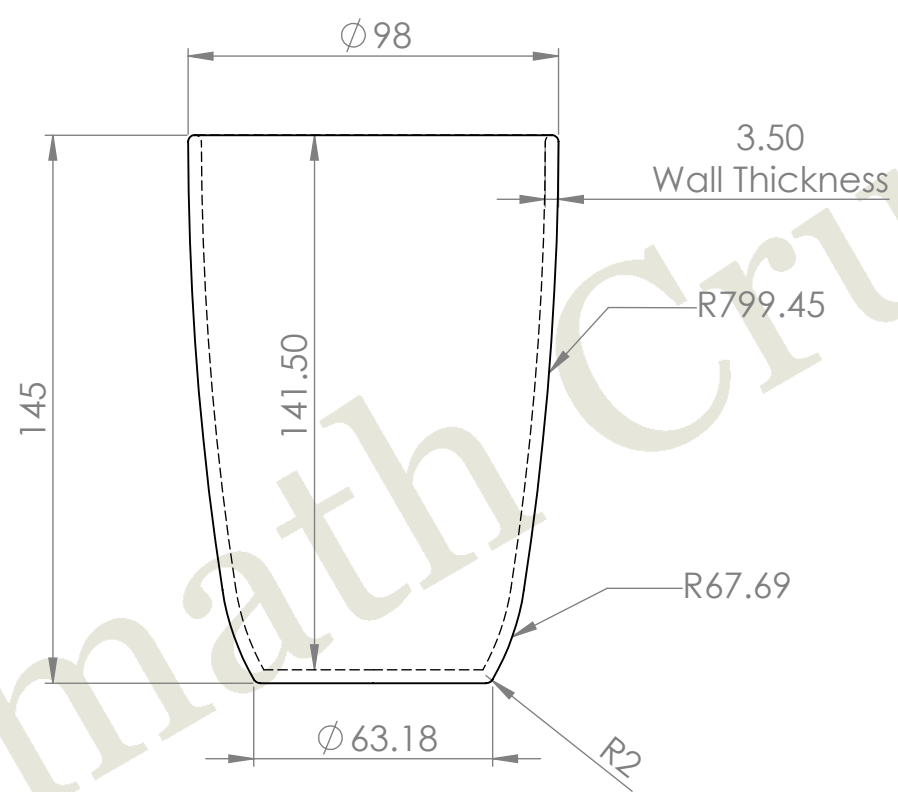


2

1

B

B



A

A

|                                       |             |   |  |           |       |            |                        |  |
|---------------------------------------|-------------|---|--|-----------|-------|------------|------------------------|--|
| TOLERANCE GUIDE.<br>DIN 40 680 MEDIUM |             | UNLESS OTHERWISE SPECIFIED:<br>DIMENSIONS ARE IN MM |  | DRAWN     | NAME  | DATE       | Almath Crucibles       |  |
|                                       |             |   |  | CHECKED   | DANNY | 13/08/2018 | ALMATH PRODUCT CODE:   |  |
|                                       |             |   |  | ENG APPR. |       |            | CL96                   |  |
|                                       |             |   |  | MFG APPR. |       |            | SIZE DWG. REV          |  |
|                                       |             |   |  | Q.A.      |       |            | A STOCK                |  |
|                                       |             |   |  | COMMENTS: |       |            | SCALE:1:2 SHEET 1 OF 1 |  |
|                                       |             | INTERPRET GEOMETRIC TOLERANCING PER:                |  |           |       |            |                        |  |
|                                       |             | MATERIAL  |  |           |       |            |                        |  |
|                                       |             | FINISH  |  |           |       |            |                        |  |
|                                       | NEXT ASSY   | USED ON   |  |           |       |            |                        |  |
|                                       | APPLICATION |   |  |           |       |            | DO NOT SCALE DRAWING   |  |

PROPRIETARY AND CONFIDENTIAL  
THE INFORMATION CONTAINED IN THIS DRAWING IS THE SOLE PROPERTY OF ALMATH CRUCIBLES. ANY REPRODUCTION IN PART OR AS A WHOLE WITHOUT THE WRITTEN PERMISSION OF ALMATH CRUCIBLES IS PROHIBITED.

2

1