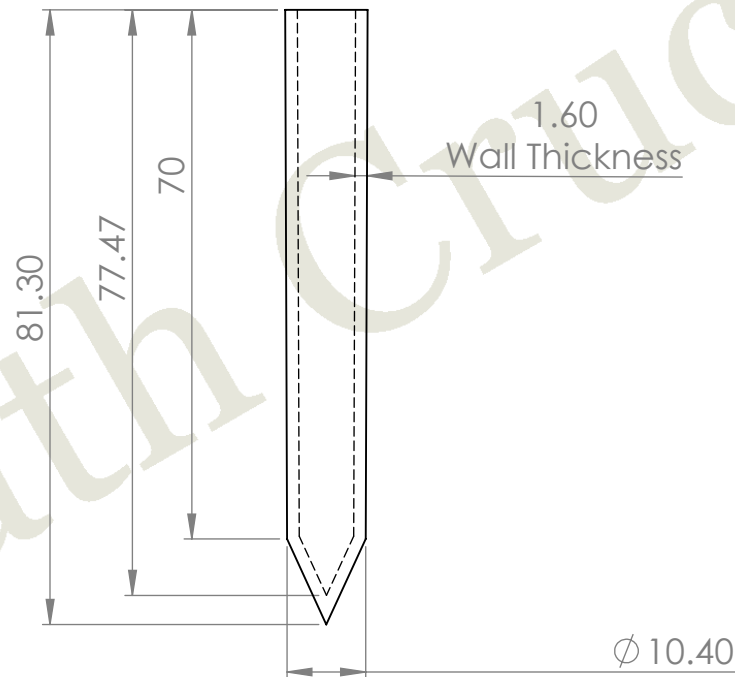
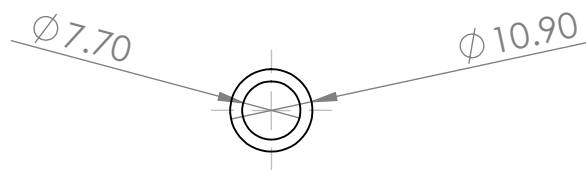


2

1

B

B



A

A

TOLERANCE GUIDE. DIN 40 680 MEDIUM		UNLESS OTHERWISE SPECIFIED: DIMENSIONS ARE IN MM		DRAWN	NAME DANNY	DATE 14/08/2018	Almath Crucibles	
				CHECKED			ALMATH PRODUCT CODE:	
				ENG APPR.			PBA10	
				MFG APPR.				
		INTERPRET GEOMETRIC TOLERANCING PER:		Q.A.			SIZE DWG. REV	
		MATERIAL		COMMENTS:			A STOCK	
NEXT ASSY		USED ON					SCALE:1:1	
APPLICATION		DO NOT SCALE DRAWING					SHEET 1 OF 1	

PROPRIETARY AND CONFIDENTIAL
THE INFORMATION CONTAINED IN THIS DRAWING IS THE SOLE PROPERTY OF ALMATH CRUCIBLES. ANY REPRODUCTION IN PART OR AS A WHOLE WITHOUT THE WRITTEN PERMISSION OF ALMATH CRUCIBLES IS PROHIBITED.

2

1