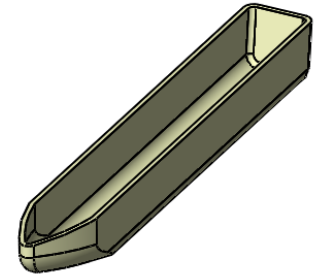
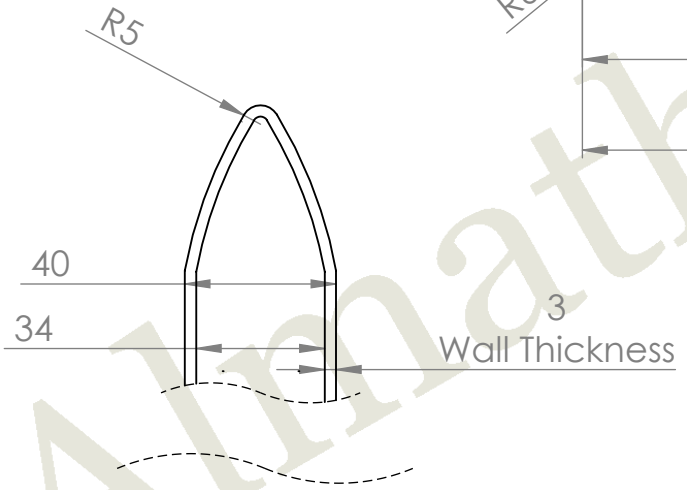
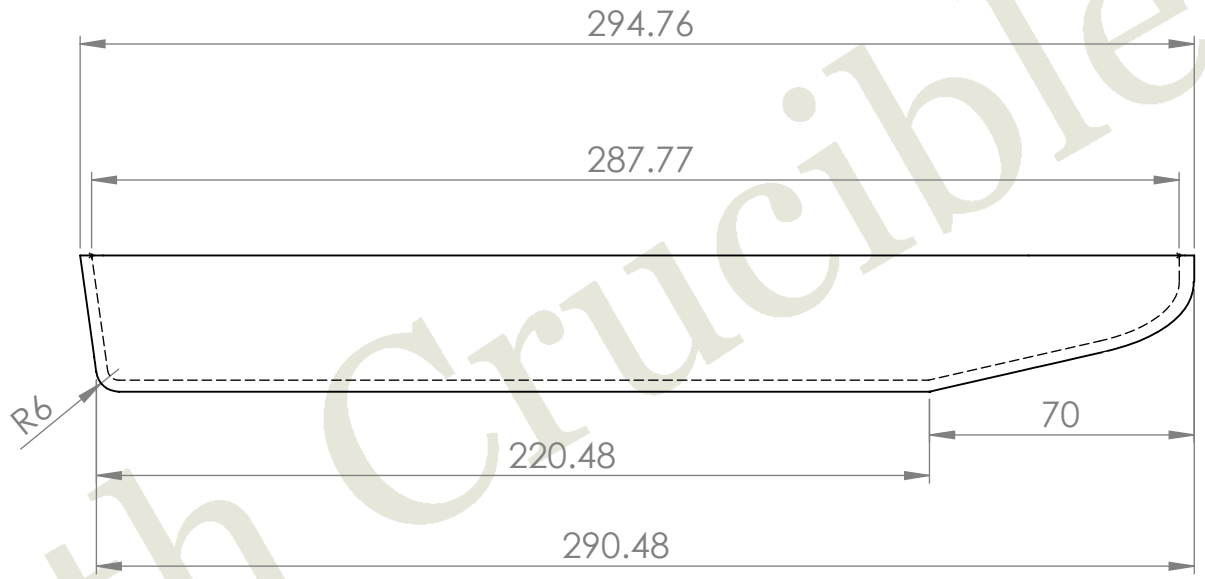
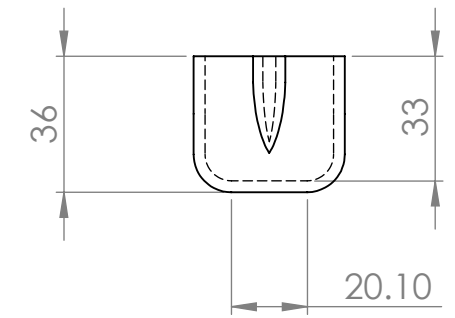


2

1

B

B



A

A

TOLERANCE GUIDE. DIN 40 680 MEDIUM		UNLESS OTHERWISE SPECIFIED: DIMENSIONS ARE IN MM		DRAWN	NAME	DATE	Almath Crucibles	
				CHECKED	DANNY	17/08/2018	ALMATH PRODUCT CODE:	
				ENG APPR.			<b>SRX290</b>	
				MFG APPR.				
			INTERPRET GEOMETRIC TOLERANCING PER:	Q.A.			SIZE DWG. REV	
			MATERIAL	COMMENTS:			A STOCK	
	NEXT ASSY	USED ON	FINISH				SCALE:1:2 SHEET 1 OF 1	
APPLICATION			DO NOT SCALE DRAWING					

PROPRIETARY AND CONFIDENTIAL  
THE INFORMATION CONTAINED IN THIS DRAWING IS THE SOLE PROPERTY OF ALMATH CRUCIBLES. ANY REPRODUCTION IN PART OR AS A WHOLE WITHOUT THE WRITTEN PERMISSION OF ALMATH CRUCIBLES IS PROHIBITED.

2

1