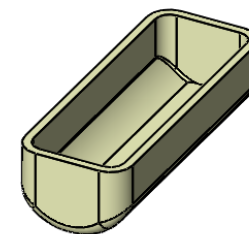
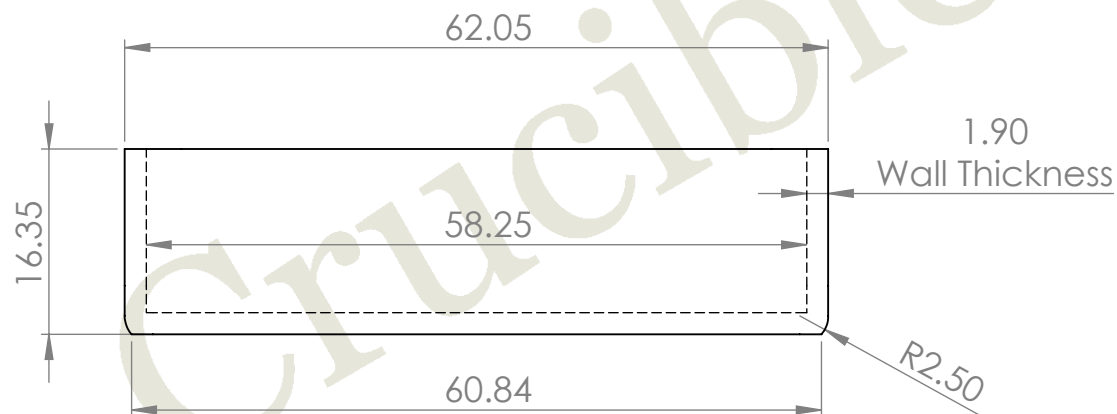
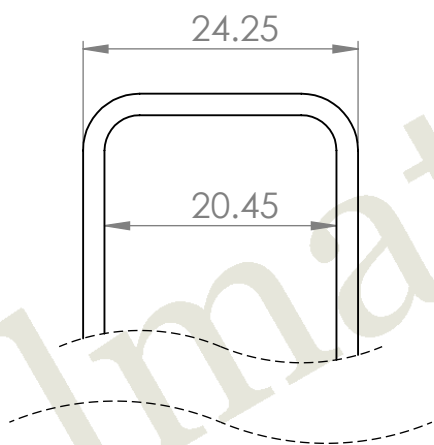
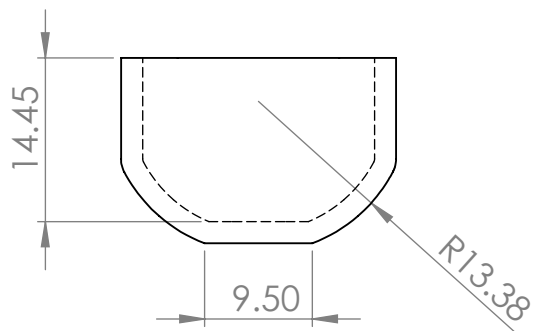


B



B

A

TOLERANCE GUIDE.
DIN 40 680 MEDIUM

UNLESS OTHERWISE SPECIFIED:
DIMENSIONS ARE IN MM

	NAME	DATE
DRAWN	DANNY	17/08/2018
CHECKED		
ENG APPR.		
MFG APPR.		
Q.A.		
COMMENTS:		

Almath Crucibles

ALMATH PRODUCT CODE:

SRX61

PROPRIETARY AND CONFIDENTIAL
THE INFORMATION CONTAINED IN THIS
DRAWING IS THE SOLE PROPERTY OF
ALMATH CRUCIBLES. ANY
REPRODUCTION IN PART OR AS A WHOLE
WITHOUT THE WRITTEN PERMISSION OF
ALMATH CRUCIBLES IS
PROHIBITED.

INTERPRET GEOMETRIC TOLERANCING PER:	MATERIAL	FINISH
NEXT ASSY	USED ON	
APPLICATION		DO NOT SCALE DRAWING

SIZE	DWG.	REV
A	STOCK	
SCALE:1.5:1		SHEET 1 OF 1

2

1