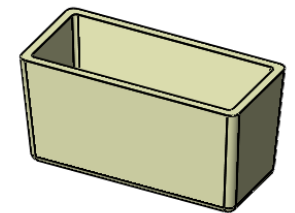
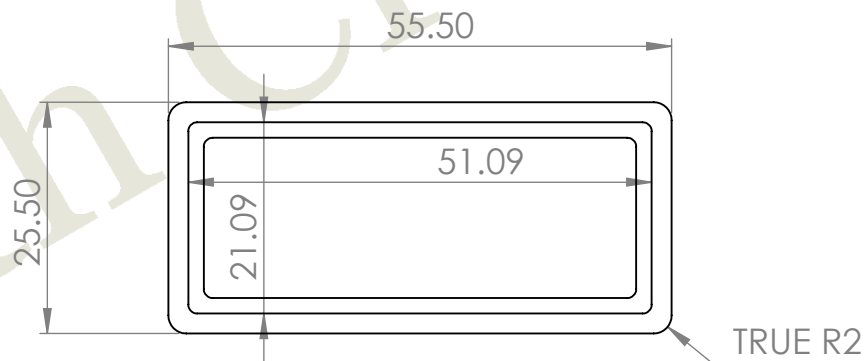
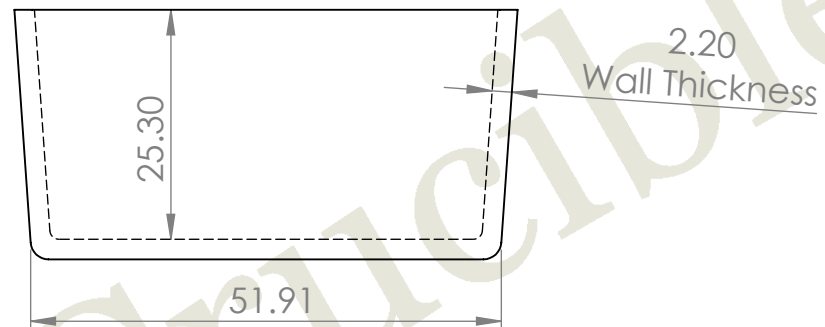
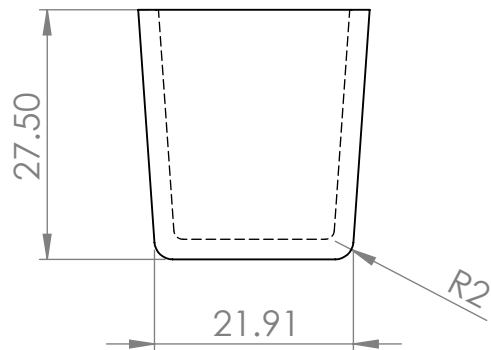


B



B

A

TOLERANCE GUIDE.
DIN 40 680 MEDIUM

UNLESS OTHERWISE SPECIFIED:
DIMENSIONS ARE IN MM

DRAWN

NAME

DATE

DANNY

13/08/2018

Almath Crucibles

CHECKED

ENG APPR.

MFG APPR.

Q.A.

COMMENTS:

ALMATH PRODUCT CODE:

SS52

PROPRIETARY AND CONFIDENTIAL
THE INFORMATION CONTAINED IN THIS
DRAWING IS THE SOLE PROPERTY OF
ALMATH CRUCIBLES. ANY
REPRODUCTION IN PART OR AS A WHOLE
WITHOUT THE WRITTEN PERMISSION OF
ALMATH CRUCIBLES IS
PROHIBITED.

NEXT ASSY

USED ON

INTERPRET GEOMETRIC
TOLERANCING PER:

MATERIAL

FINISH

APPLICATION

DO NOT SCALE DRAWING

SIZE

DWG.

REV

A

STOCK

SCALE:1.2:1

SHEET 1 OF 1

2

1