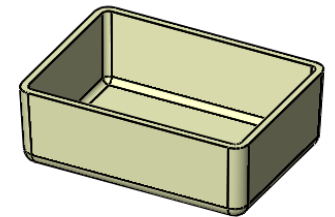
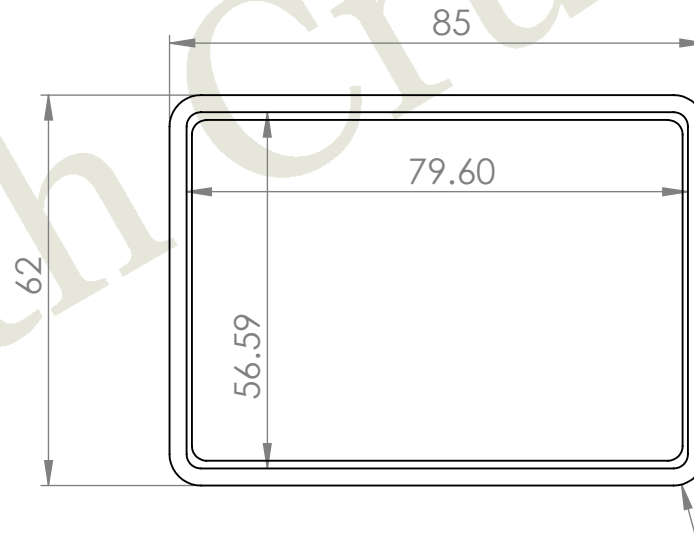
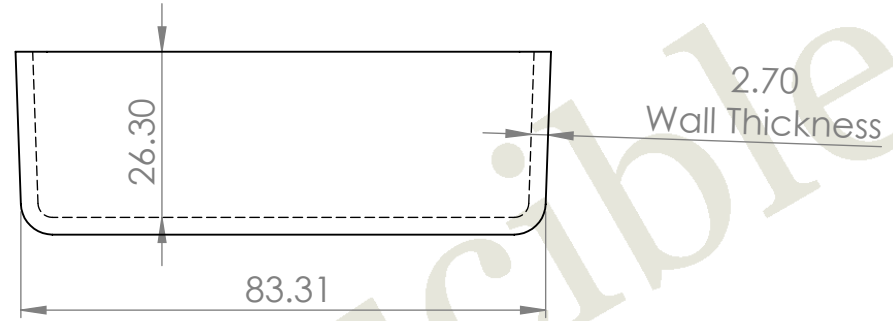
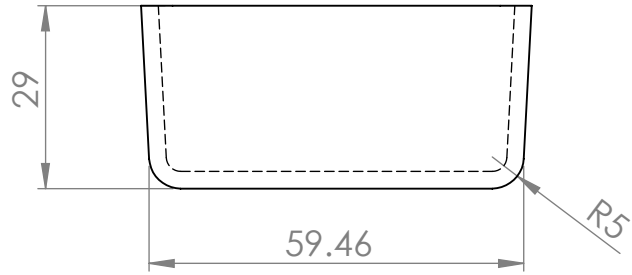


2

1



B

B

A

A

TOLERANCE GUIDE.  
DIN 40 680 MEDIUM

UNLESS OTHERWISE SPECIFIED:  
DIMENSIONS ARE IN MM

DRAWN	NAME	DATE
CHECKED	DANNY	13/08/2018
ENG APPR.		
MFG APPR.		
Q.A.		
COMMENTS:		

Almath Crucibles

ALMATH PRODUCT CODE:

**SS86**

PROPRIETARY AND CONFIDENTIAL  
THE INFORMATION CONTAINED IN THIS  
DRAWING IS THE SOLE PROPERTY OF  
ALMATH CRUCIBLES. ANY  
REPRODUCTION IN PART OR AS A WHOLE  
WITHOUT THE WRITTEN PERMISSION OF  
ALMATH CRUCIBLES IS  
PROHIBITED.

		INTERPRET GEOMETRIC TOLERANCING PER:
		MATERIAL
NEXT ASSY	USED ON	FINISH
APPLICATION		DO NOT SCALE DRAWING

SIZE	DWG.	REV
<b>A</b>	<b>STOCK</b>	
SCALE:1:1.2		SHEET 1 OF 1

2

1