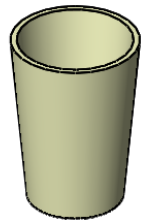
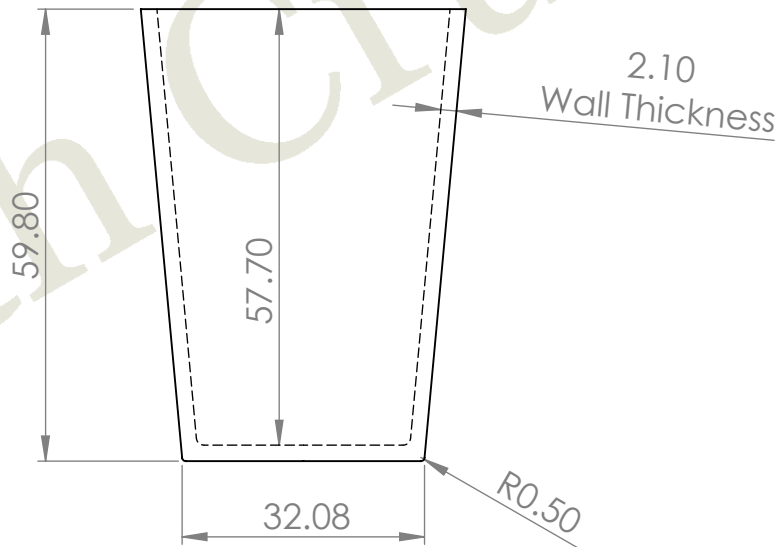
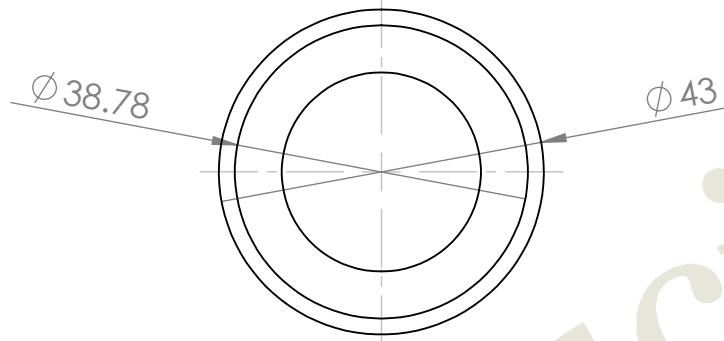


2

1

B

B



A

A

TOLERANCE GUIDE. DIN 40 680 MEDIUM		UNLESS OTHERWISE SPECIFIED: DIMENSIONS ARE IN MM		NAME DANNY	DATE 15/08/2018	Almath Crucibles	
				DRAWN		ALMATH PRODUCT CODE:	
				CHECKED		TW43	
				ENG APPR.			
				MFG APPR.		SIZE DWG. REV	
				Q.A.		A STOCK	
				COMMENTS:		SCALE:1:1 SHEET 1 OF 1	
NEXT ASSY		USED ON		MATERIAL			
APPLICATION		DO NOT SCALE DRAWING		FINISH			

PROPRIETARY AND CONFIDENTIAL
THE INFORMATION CONTAINED IN THIS
DRAWING IS THE SOLE PROPERTY OF
ALMATH CRUCIBLES. ANY
REPRODUCTION IN PART OR AS A WHOLE
WITHOUT THE WRITTEN PERMISSION OF
ALMATH CRUCIBLES IS
PROHIBITED.

2

1